

LD1210



Exterior Low Glare LED Downlight

Data sheet - Page 1

LD1210 is a very powerful, low glare, IP67 rated downlight which has been primarily designed for use externally on yachts. It is machined from high grade materials, to ensure it can withstand sea environments. Architectural applications where this fitting can be used include exterior canopies, and where an IP rated downlighter is required. It is designed to be set flush into the mounting surface.

Key Features

- LED and lens assembly recessed within a black anodised body for reduced glare
- High output 6 LED cluster using 93 CRI LEDs
- Interchangeable optics
- Low depth, ideal for restricted spaces
- High quality machined components
- Stainless steel 316 bezel and hard anodized aluminium body for harsh exterior environments
- Fixing is by 3 screws through the body which is then hidden by the bezel. 3 further screws fix the bezel to the body
- Available with Switch, 0-10V, DMX, Dali or Mains dimmable drivers



Specification

Applications



Beam Angles

15°, 25°, 40°

LED type

6 x Cree XPG2

Colour temperature

2700K** / 3000K

5000K

Current	350mA	500mA	700mA	350mA	500mA	700mA
LED power (Max)	7W (6.6W)*	10W (9.6W)*	14W (13.5W)*	7W (6.6W)*	10W (9.6W)*	14W (13.5W)*
CRI	93	93	93	75	75	75
Forward voltage (V) ₁₀₀	20V	20.7V	22V	20V	20.7V	22V
Delivered lumens** (L ₁₀₀)	507	692	924	616	840	1122
Lumens per watt	78	72	67	95	88	81

LED lifetime (to 70% lumen maintenance) 50,000hrs at an average ambient temperature of 35°C

Materials

Anodised aluminium, Stainless steel spring clips

Wiring

Terminal block on rear of fitting

IP rating

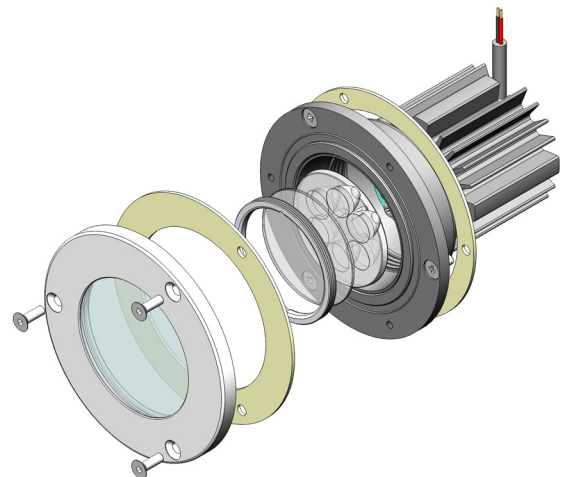
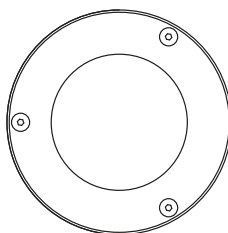
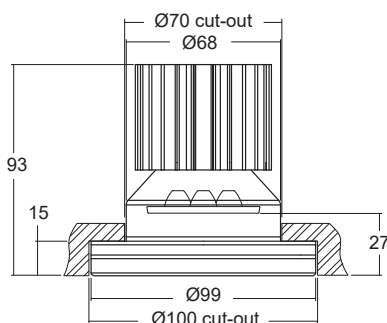
IP67

*LED wattage includes losses associated with using an 85% efficient driver

** 2700K lumen output is 12% lower than the 3000K figure listed

4000K lumen output is 14% higher than the 3000K figure listed (80 CRI)

Dimensions



LD1210

Exterior Low Glare LED Downlight



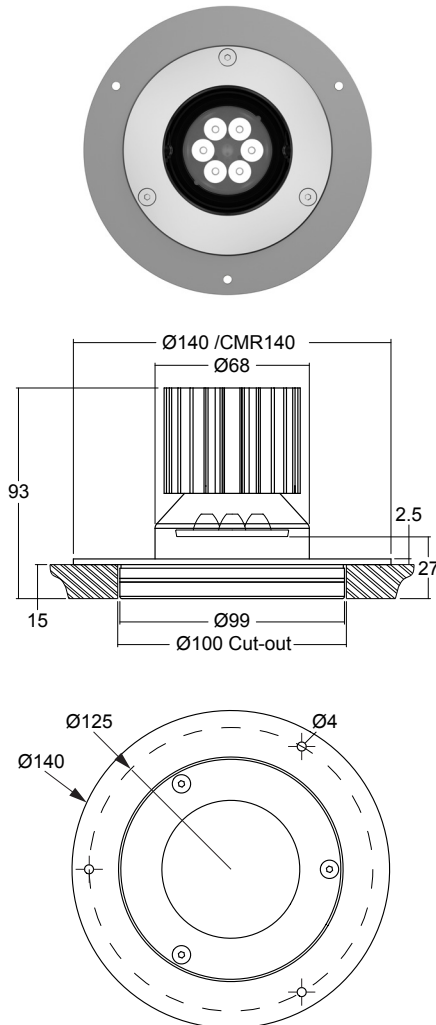
Data sheet - Page 2

Accessories

/CMR140 - Ceiling Mount Ring

This accessory allows the LD1210 to be mounted flush into the ceiling with a simple circular cut-out for the bezel. The ceiling ring is fixed to the back of the mounting surface, and the LD1210 is then attached to the ring. If the ceiling is not 15mm thick then a rebate will need to be created on the back of the mounting surface to allow the ceiling mount ring to sit at a depth which allows the bezel to sit flush.

Please note: The /CMR140 accessory can only be used if there is access to behind the mounting surface!



Design



Order Codes and Options

Product code	LED colour	Beam angle	Accessories	Finish
LD1210-350 - 500 - 700	<input type="text"/>	<input type="text"/>	<input type="text"/>	<input type="text"/>

Example: LD1210-350 / LW30 / MB / CMR1220 / Polished Stainless Steel

Product codes with output options

7W 350mA	LD1210-350
10W 500mA	LD1210-500
14W 700mA	LD1210-700

LED colour options

LED colour options	Suffix
Extra Warm White (2700K)	/LW27
Warm white (3000K)	/LW30
White (4000K) - on request	/LW40
Cool white (5000K)	/LW50

*Other LED colour temperatures are available. Please speak to a member of our sales team.

Beam / lens angle options

15° narrow spot	/NB
25° medium	/MB
40° wide	/WB

Accessories

Ceiling mount ring (black anodised)	/CMR140
Honeycombe louvre	/HL50

Bezel finish options

Paint finish black / white (RAL 9016) / RAL
 Polished and passivated stainless steel (marine grade polishing)

Use with 350mA, 500mA, or 700mA constant current LED drivers

For our complete range of LED drivers please download the data sheet from the downloads section at www.lightgraphix.co.uk
 Or please contact us for more information